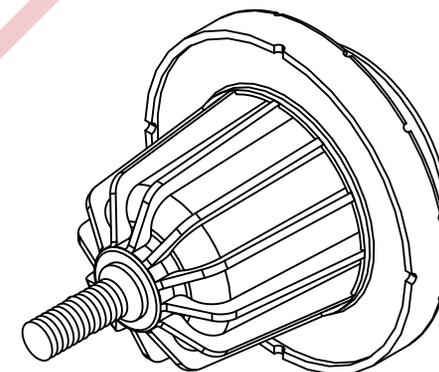
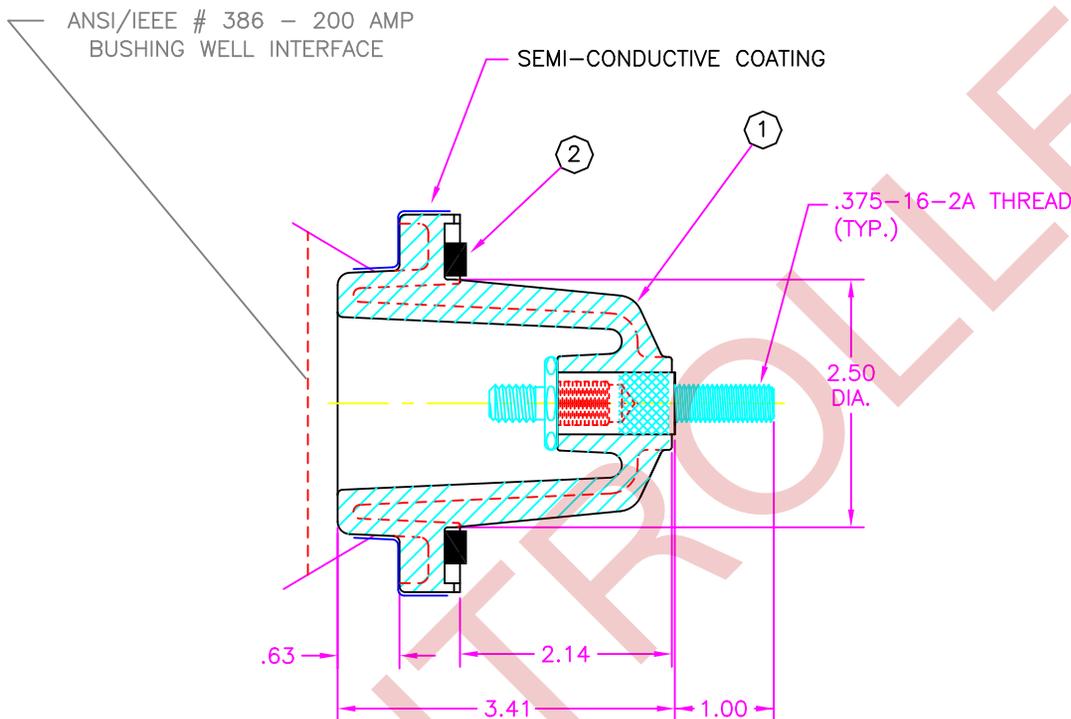
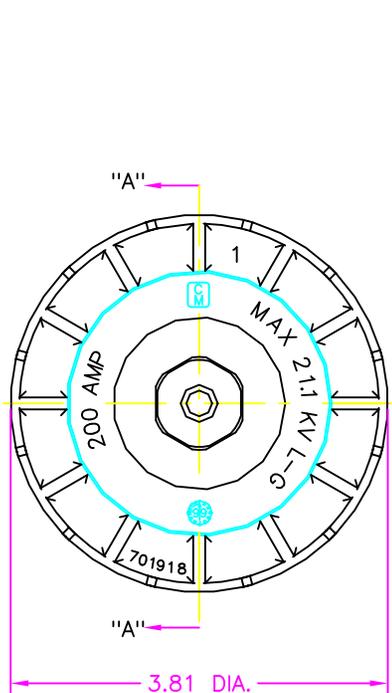


PROPRIETARY INFORMATION

THE INFORMATION CONTAINED ON THIS DRAWING IS CONSIDERED PROPRIETARY AND MAY NOT, IN WHOLE OR IN PART, BE REPRODUCED OR USED FOR THE MANUFACTURE OF THE PART DISCLOSED HERE-IN WITHOUT THE WRITTEN PERMISSION OF CENTRAL MOLONEY, INC.

NO. 70191897

NOTE: SPECIAL ERMCO ONLY
PACKING NOTE: REMOVE THREAD PROTECTOR BEFORE SHIPPING



NOTE:

1. MOUNTING HOLE- 2.625 DIA.
2. RECOMMENDED INSTALLATION TORQUE FOR REMOVABLE STUD IS 20-22 FT. LBS.
USE 7/8" SOCKET FOR INSTALLATION OF REMOVABLE STUD.

MATERIAL:

GLASS FILLED ENGINEERING THERMOPLASTIC

ELECTRICAL RATINGS				
MAX. VOLTAGE LINE TO GROUND (KV RMS)	IMPULSE (KV BIL)	AC HI-POT (KV)	CONTINUOUS CURRENT (AMPS)	MIN. CORONA LEVEL (KV)
21.1	150	50	200	26.0

NOTE: ALL DIMENSIONS ARE IN INCHES.

DRWN BY	SCALE
R.O.	1/1
DATE	7/9/18
TOLERANCE UNLESS OTHERWISE SPECIFIED	
.X=±.100	.XX=±.050 .XXX=±.010



Central Moloney, Inc.
 Components Operation

5500 Jefferson Parkway-Phone (870) 247-5320-Pine Bluff, Arkansas 71602

TITLE	NO.	REV.
TUF WELL II ASSEMBLY W/ REM. STUD & GASKET	70191897	

2	GASKET	32161863	1	EA.
1	BUSHING	70191871	1	EA.
ITEM	DESCRIPTION	RM-PP-CC NO.	QTY.	U/M

NO.	REVISION	EON NO.	DATE
-----	----------	---------	------